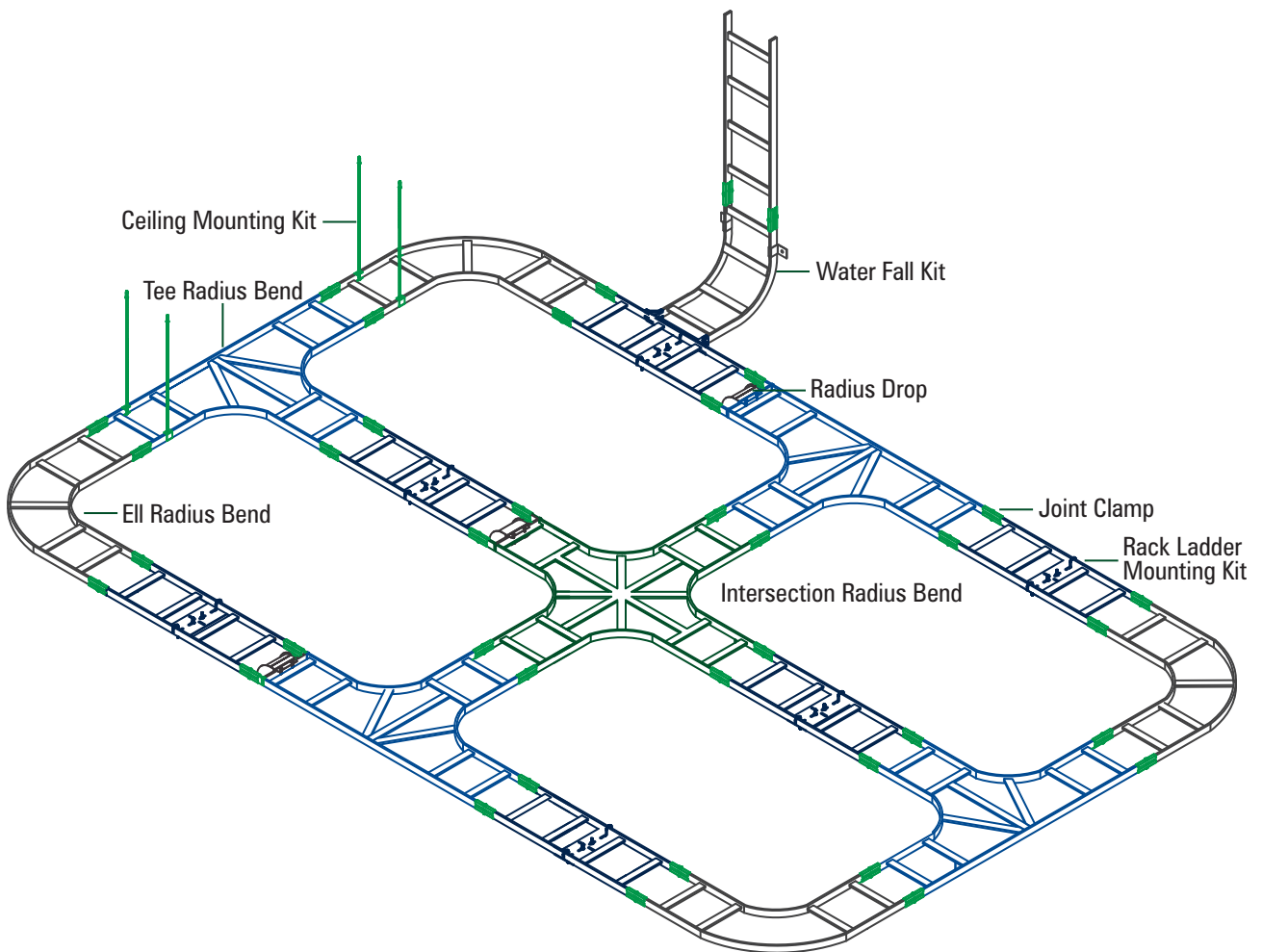


Overview

Cable Runway is vital part of cable management of horizontal & backbone cable in IT infrastructure. NetRack offers Runway & accessories, which are completely modular, made of Special profile steel tube with high strength and low weight to minimize deflections with highest quality standards under stringent ISO 9001 | ISO 14001 | ISO 27001 | ISO 45001 Manufacturing & Quality management system to ensure highest quality product.

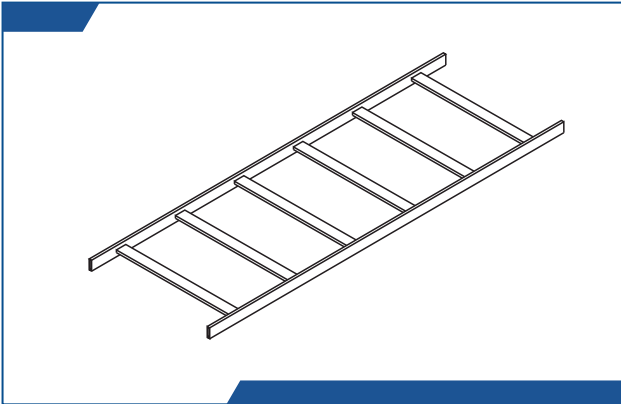
Standard Runway available in 12, 18, 20 & 24 Inch configuration to handle different volume of cables NetRack Offers complete range of accessories to fix the Runway above the rack or on the Rack or Below the ceiling and complete management.



Features

- High-quality construction and design
- Better control on proper cable bend radius
- Reduces cable damage
- Completely modular better aesthetics in cable management

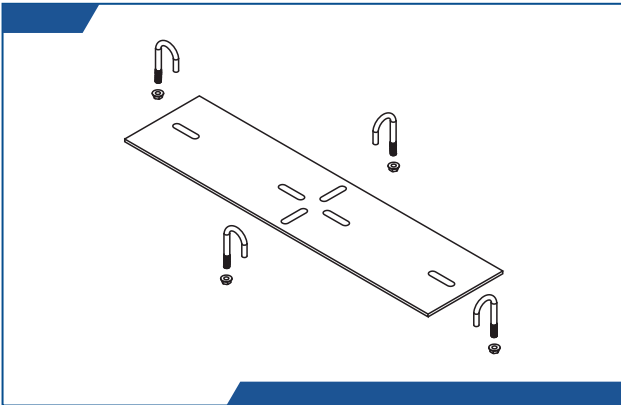
Cable Runway



Model Matrix & Dimensions

Description	Part No.	Construction
Run-Way-12Inch-1500	RW-12-1500	Tubular Steel welded & Powder Coated
Run-Way-18Inch-1500	RW-18-1500	
Run-Way-20Inch-1500	RW-20-1500	
Run-Way-24Inch-1500	RW-24-1500	
Run-Way-12Inch-3000	RW-12-3000	
Run-Way-18Inch-3000	RW-18-3000	
Run-Way-20Inch-3000	RW-20-3000	
Run-Way-24Inch-3000	RW-24-3000	

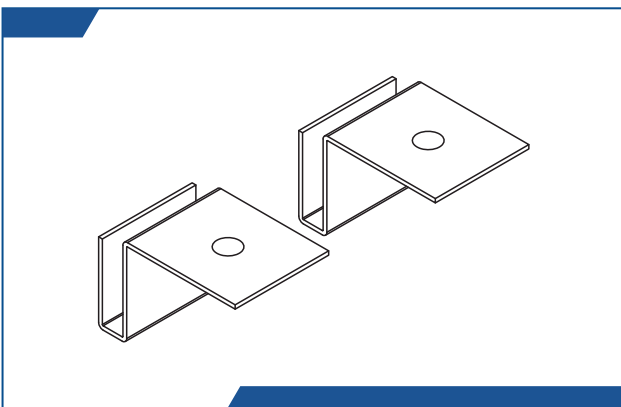
Rack Run-Way Mounting Kit



Model Matrix & Dimensions

Description	Part No.	Construction
Rack Run-Way Mounting Kit 12 Inch	RWA-001-12	Formed Steel welded & Powder Coated
Rack Run-Way Mounting Kit 18 Inch	RWA-001-18	
Rack Run-Way Mounting Kit 20 Inch	RWA-001-20	
Rack Run-Way Mounting Kit 24 Inch	RWA-001-24	

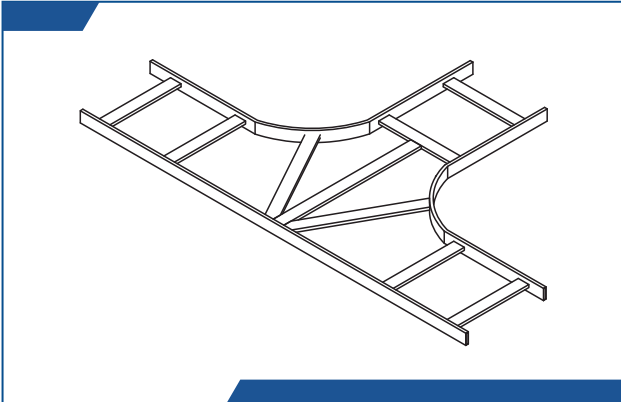
Runway Wall Mounting Clamp



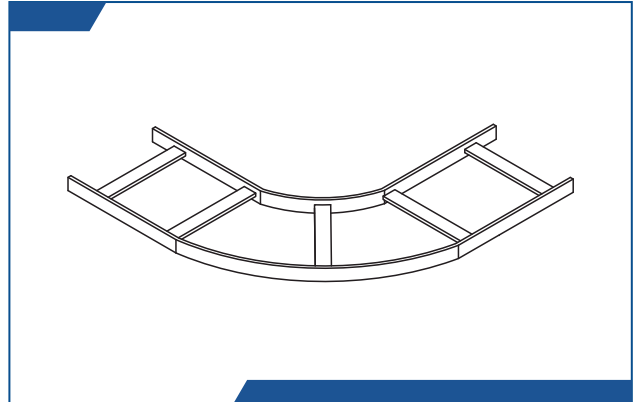
Model Matrix & Dimensions

Description	Part No.	Construction
Runway Wall Bracket Clamp	RW-018-001	Formed Steel welded & Powder Coated

Tee Radius



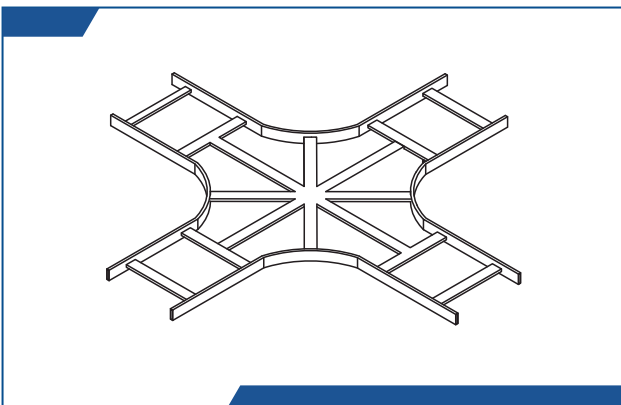
Ell Radius



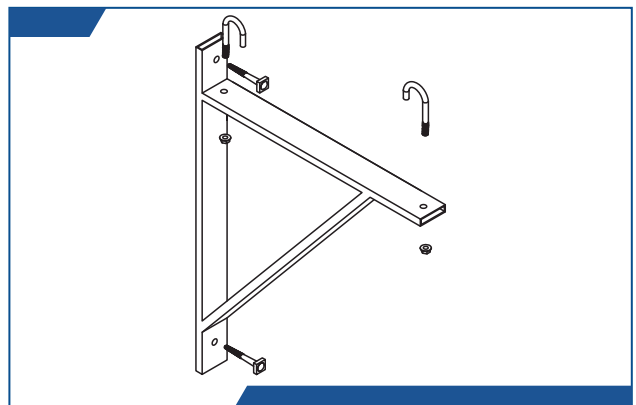
Model Matrix & Dimensions		
Description	Part No.	Construction
Run-Way-12Inch-TEE	RW-016-12	Formed Steel & Powder Coated
Run-Way-18Inch-TEE	RW-016-18	
Run-Way-20Inch-TEE	RW-016-20	
Run-Way-24Inch-TEE	RW-016-24	

Model Matrix & Dimensions		
Description	Part No.	Construction
Run-Way-12Inch-ELL	RW-015-12	Formed Steel & Powder Coated
Run-Way-18Inch-ELL	RW-015-18	
Run-Way-20Inch-ELL	RW-015-20	
Run-Way-24Inch-ELL	RW-015-24	

Intersection



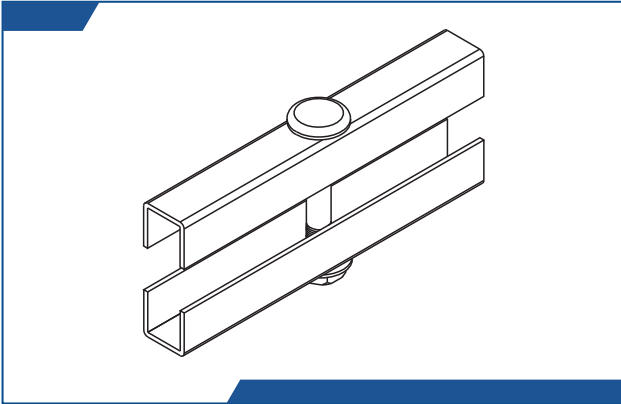
Triangular Wall Bracket Kit



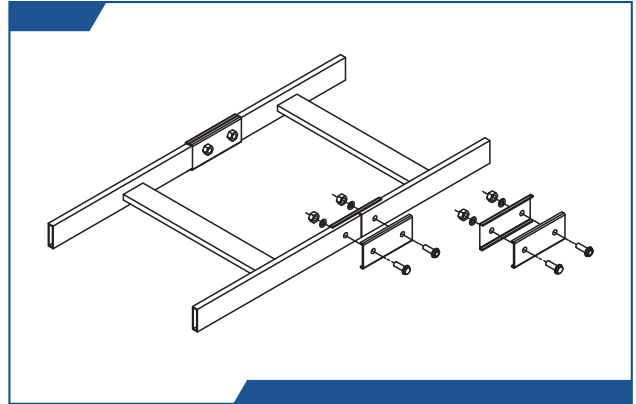
Model Matrix & Dimensions		
Description	Part No.	Construction
Run-Way-12Inch-INT	RW-017-12	Formed Steel & Powder Coated
Run-Way-18Inch-INT	RW-017-18	
Run-Way-20Inch-INT	RW-017-20	
Run-Way-24Inch-INT	RW-017-24	

Model Matrix & Dimensions		
Description	Part No.	Construction
Triangular Wall Bracket Kit-12	RWA-009-12	Formed Steel & Powder Coated
Triangular Wall Bracket Kit-18	RWA-009-18	
Triangular Wall Bracket Kit-20	RWA-009-20	
Triangular Wall Bracket Kit-24	RWA-009-24	

Joint Clamp Kit Type 1



Joint Clamp Kit Type 2



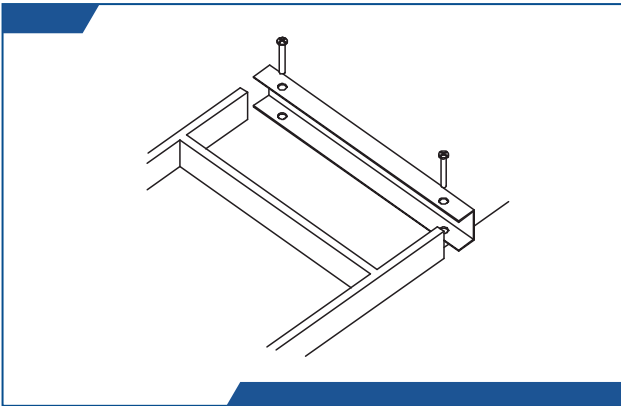
Model Matrix & Dimensions

Description	Part No.	Construction
Joint Clamp Kit-Type 1	RWA-00-1	Formed Steel & Powder Coated

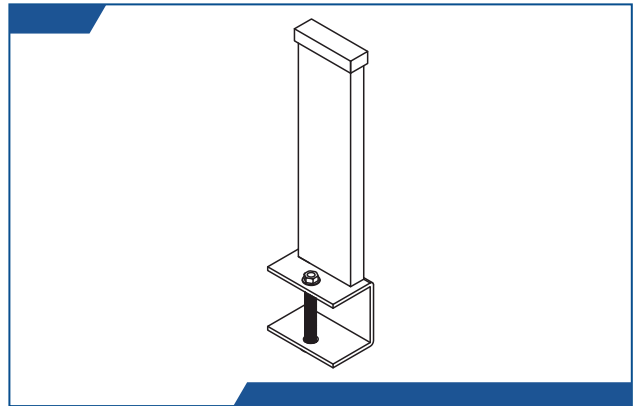
Model Matrix & Dimensions

Description	Part No.	Construction
Joint Clamp Kit-Type 2	RWA-003-2	Formed Steel & Powder Coated

End Closing Kit



Cable Retainer Kit



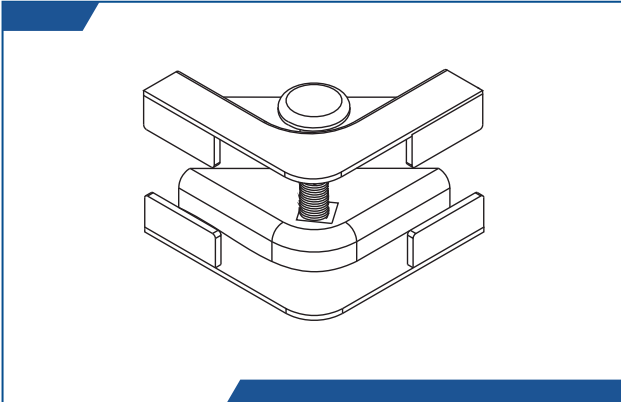
Model Matrix & Dimensions

Description	Part No.	Construction
End Closing Kit/12-Inch	RWA-004-12	Formed Steel & Powder Coated
End Closing Kit/18-Inch	RWA-004-18	
End Closing Kit/20-Inch	RWA-004-20	
End Closing Kit/24-Inch	RWA-004-24	

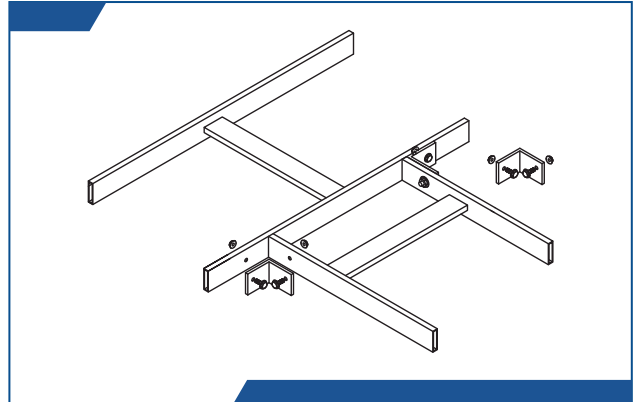
Model Matrix & Dimensions

Description	Part No.	Construction
Cable Retainer Kit/200	RWA-010	Formed Steel & Powder Coated

Corner Clamp Type 1



Corner Clamp Type 2



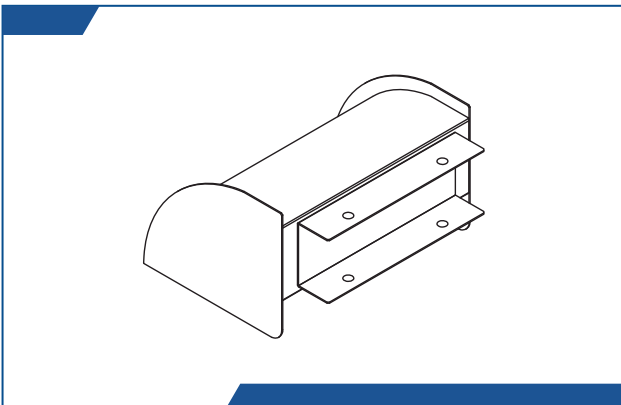
Model Matrix & Dimensions

Description	Part No.	Construction
Corner Clamp Kit Type 1	RWA-002-1	Formed Steel welded & Powder Coated

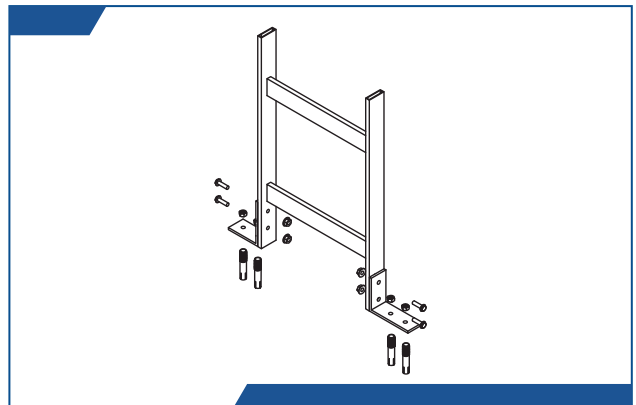
Model Matrix & Dimensions

Description	Part No.	Construction
Corner Clamp Kit Type 2	RWA-002-2	Formed Steel welded & Powder Coated

Radius Drop Kit



Floor Mount Kit



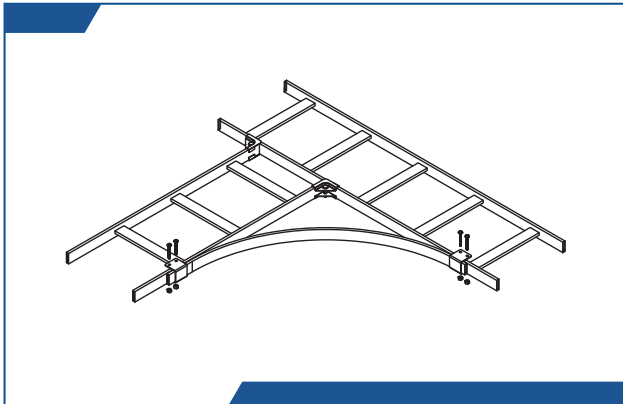
Model Matrix & Dimensions

Description	Part No.	Construction
Radius Drop Kit 6 Inch/Straight	RWA-008-6-S	Formed Steel & Powder Coated
Radius Drop Kit 6 Inch/Cross	RWA-008-6-C	
Radius Drop Kit 12 Inch/Straight	RWA-008-12-S	
Radius Drop Kit 12 Inch/Cross	RWA-008-12-C	

Model Matrix & Dimensions

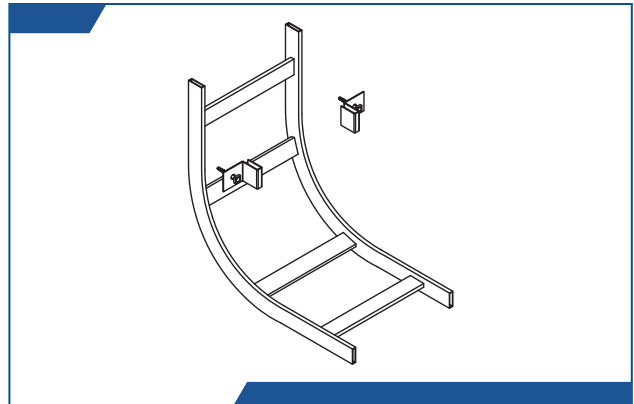
Description	Part No.	Construction
Floor Mount Kit	RW-019-001	Formed Steel & Powder Coated

Radius Bracket Kit



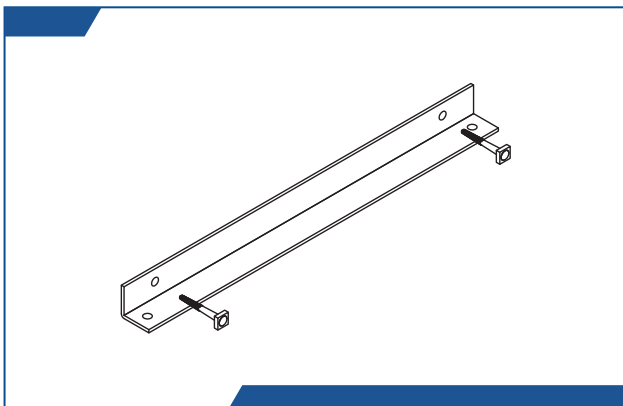
Model Matrix & Dimensions		
Description	Part No.	Construction
Radius Bracket Kit	RW-007-001	Tabular Steel, Formed & Powder Coated

Cable Runway Water Fall



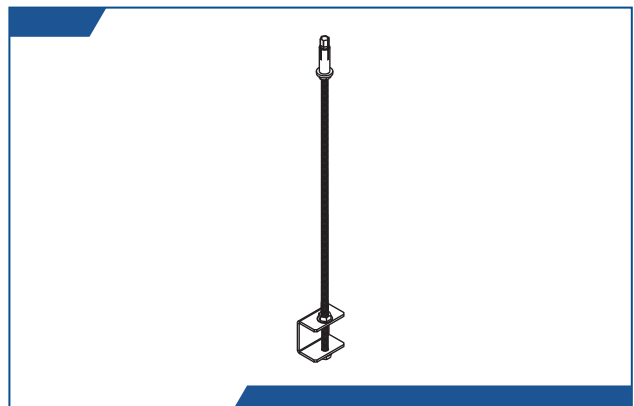
Model Matrix & Dimensions		
Description	Part No.	Construction
Radius Water Fall Kit 12-Inch	RWA-014-12	Tabular Steel, Formed & Powder Coated
Radius Water Fall Kit 18-Inch	RWA-014-18	
Radius Water Fall Kit 20-Inch	RWA-014-20	
Radius Water Fall Kit 24-Inch	RWA-014-24	

Wall Basket Kit



Model Matrix & Dimensions		
Description	Part No.	Construction
Wall Bracket Kit/ 12-Inch	RWA-005-12	Extruded Aluminum & Machined
Wall Bracket Kit/ 18-Inch	RWA-005-18	
Wall Bracket Kit/ 20-Inch	RWA-005-20	
Wall Bracket Kit/ 24-Inch	RWA-005-24	

Ceiling Mount Kit



Model Matrix & Dimensions		
Description	Part No.	Construction
Ceiling Mount Kit 1Mt/Type 1/ 10MM	RWA-006-10	Formed Steel & Powder Coated
Ceiling Mount Kit 1Mt/Type/ 12MM	RWA-006-12	

Overview

Patch Rack / Runway specially designed for mounting patch panels on the runway in server rooms, data centre and labs. Racks manufactured out of steel sheet punched, formed, welded and Powder coated with highest quality standards under stringent ISO 9001-2008 Manufacturing & Quality management system to ensure highest quality product.



Mounting above Cross Member

Features

- Conforms to DIN 41494 or Equivalent EIA / ISO / EN / CEA Standard
- Formed Steel 19" verticals with Punched 10mm Square Hole and Universal 12.7mm-15.875mm-15.875mm alternating hole pattern offers greater mounting flexibility, maximizes usable mounting space
- State-of-the-art manufacturing methods provide the best product quality and fastest delivery in the industry
- 100% assured compatibility with all equipments conforming to DIN 41494 (General industrial standard for equipments)
- Powder coated finish with seven tank pretreatment process meeting ASTM standard
- Grounding & Bonding Options
- Universal Clamp Kit for mounting on straight and cross member of runway either above or below the runway
- Standard supply includes Cable Loop 90 X 85 mm for Cable Management

Model Matrix & Dimensions

Patch Rack / Runway	Part No.	H	h	W	w	D
Patch Rack/Runway with Universal Mount kit/2U/Powder coated	RWA-013-2-PC	125	2U	514	19	80
Patch Rack/Runway with Universal Mount kit/3U/Powder coated	RWA-013-3-PC	170	3U	514	19	80
Patch Rack/Runway with Universal Mount kit/4U/Powder coated	RWA-013-4-PC	242	4U	514	19	80
Patch Rack/Runway with Universal Mount kit/6U/Powder Coated	RWA-013-6-PC	334	6U	514	19	80

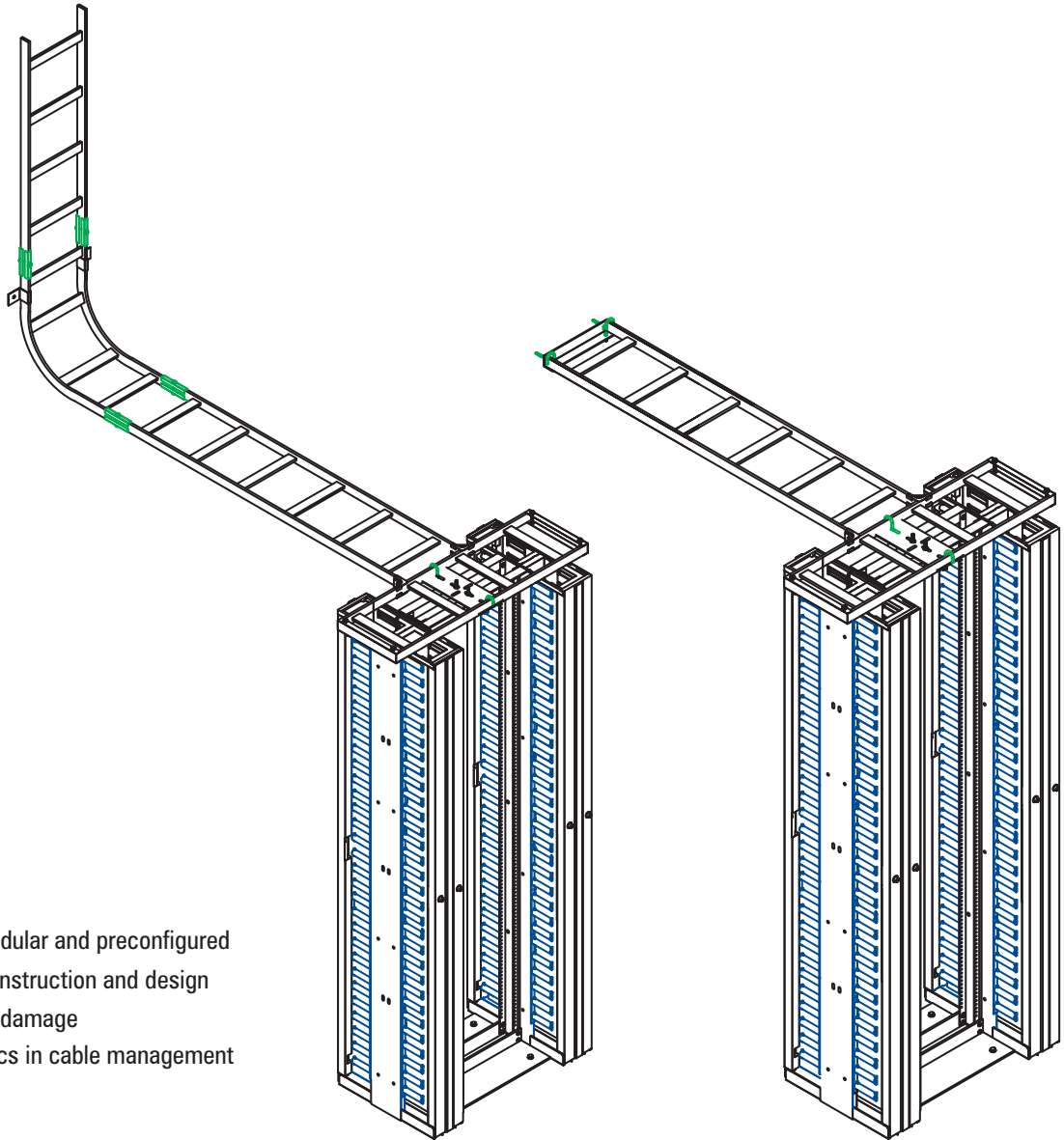
1U = 44.45 mm

Note: Other models can be manufactured on request

Overview

This is preconfigured kit with 1 No Runway on Rack and 1 No connecting wall to Runway on Rack, with all accessories required to complete the installation. Extensively used in the 2 Post Rack will be used for dropping cable to rack and to support the rack to wall for better rigidity.

Available in 12 inch and 20 inch Kits.



Features

- Completely Modular and preconfigured
- High-quality construction and design
- Reduces cable damage
- Better aesthetics in cable management

Model Matrix & Dimensions

Models	Part No	Scope of Supply
Runway Kit-12"	RWK - 12	Runway/12" : 1.5 Metre X 1 & 1 Metre X 1, Rack Runway Mounting Kit 1, Corner Clamp Kit X 1, End Closing Kit X 2, Joint Clamp Kit X 1, Wall Bracket Kit X 1
Runway Kit-20"	RWK - 20	Runway/20" : 1.5 Metre X 1 & 1 Metre X 1, Rack Runway Mounting Kit 1, Corner Clamp Kit X 1, End Closing Kit X 2, Joint Clamp Kit X 1, Wall Bracket Kit X 1