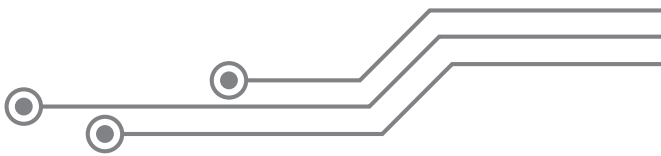


Sliding Shelf



Model Matrix & Dimensions

Description	Part No.	Construction	Static Load KG
Sliding Shelf/ 10KG/650	SS-10-650	Formed Steel & Powder Coated	10
Sliding Shelf/ 30KG/650	SS-30-650		30
Sliding Shelf/ 10KG/800	SS-10-800		10
Sliding Shelf/ 30KG/800	SS-30-800		30
Sliding Shelf/ 10KG/1000	SS-10-1000		10
Sliding Shelf/ 30KG/1000	SS-30-1000		30

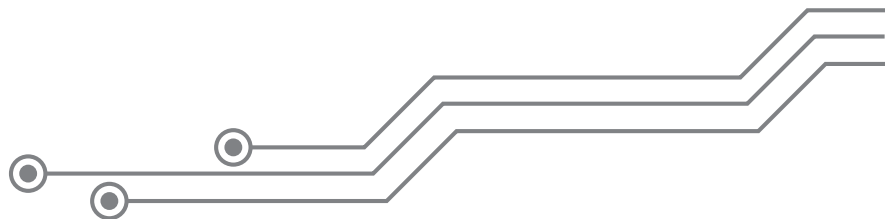


Extended Leg / Castors/ 2 Post Rack

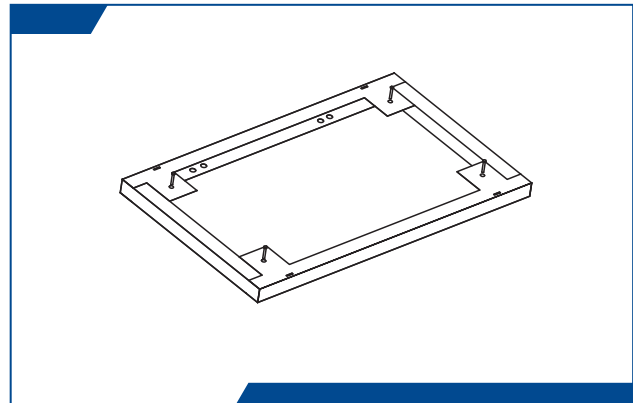


Model Matrix & Dimensions

Description	Part No.	Construction	Static Load KG
Extended Leg/ 650	EL- 650-CT-TP3	Formed Steel & Powder Coated	750
Extended Leg/ 800	EL- 800-CT-TP3		



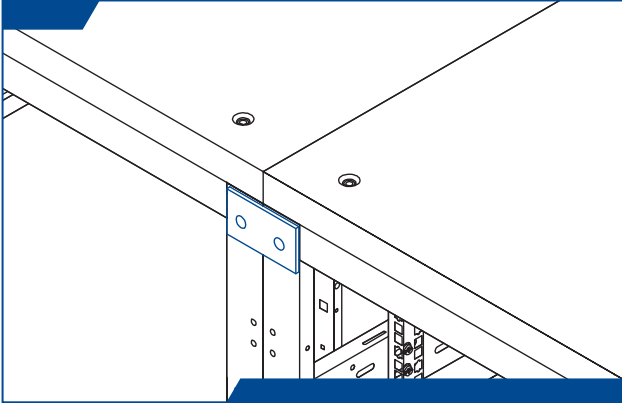
Plinth



Model Matrix & Dimensions

Description	Part No.	Construction	Static Load KG
Plinth/600X650/ 50MM Height	P-600-650-50	Formed Steel & Powder Coated	1500
Plinth/600X800/ 50MM Height	P-600-800-50		
Plinth/600X1000/ 50MM Height	P-600-1000-50		
Plinth/600X1200/ 50MM Height	P-600-1200-50		
Plinth/800X800/ 50MM Height	P-800-800-50		
Plinth/800x1000/ 50MM Height	P-800-1000-50		
Plinth/800x1200/ 50MM Height	P-800-1200-50		
Plinth/600X650/ 100MM Height	P-600-650-100		
Plinth/600X800/ 100MM Height	P-600-800-100		
Plinth/600X1000/ 100MM Height	P-600-1000-100		
Plinth/600X1200/ 100MM Height	P-600-1200-100		
Plinth/800X800/ 100MM Height	P-800-800-100		
Plinth/800x1000/ 100MM Height	P-800-1000-100		
Plinth/800x1200/ 100MM Height	P-800-1200-100		

Ganging Kit



Model Matrix & Dimensions

Description	Part No.	Construction
Ganging Kit	CRA0001	Formed Steel & Powder Coated

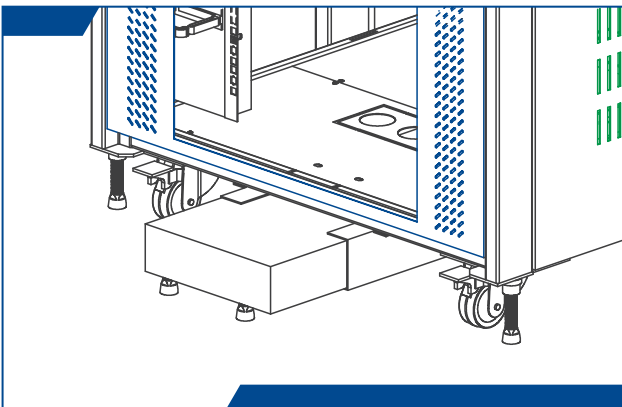
Angle Pair



Model Matrix & Dimensions

Description	Part No.	Construction	Static Load KG
Angle Pair/ 650	AP-650	Formed Steel & Powder Coated	50
Angle Pair/ 800	AP-800		
Angle Pair/ 1000	AP-1000		

Rack Stabilising Kit



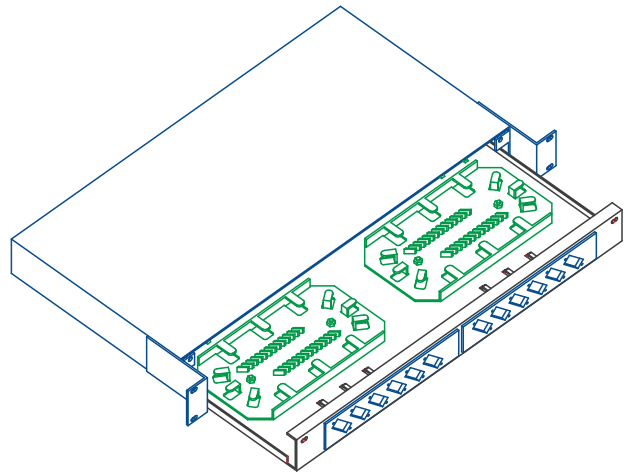
Model Matrix & Dimensions

Description	Part No.	Construction
Rack Stabilizing Kit/ 600/Sliding	RSK-600-S	Formed Steel & Powder Coated
Rack Stabilizing Kit/ 800/Sliding	RSK-800-S	

Overview

LIU manufactured out of steel sheet punched, formed, welded and Powder coated with highest quality standards under stringent ISO 9001-2008 Manufacturing & Quality management system to ensure highest quality product.

Standard model will be 1U / 19" box with options of front coupler plates.



Technical Data:

Basic Chasis	Steel
Construction	Sliding Type
Mounting	19"/21" Rack Mount
Standard Finish	Powder Coated
Slicing & Cable Management	PVC
Standard Colour	Grey & Off White or Black

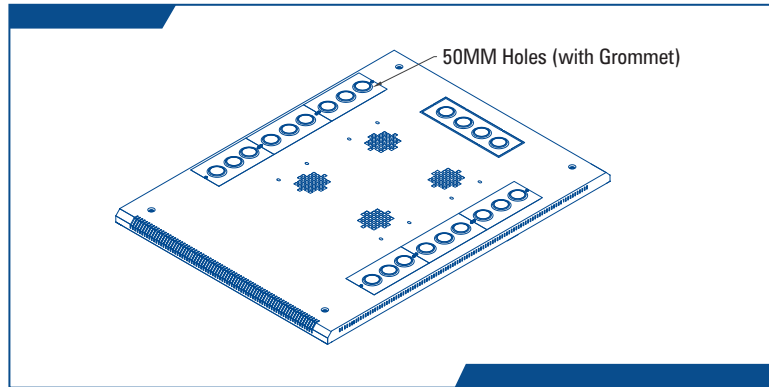
Note:

Other Colour powder coating on request.

Model Matrix & Dimensions

Description	Part No.
LIU/6Port/1U	LIU-6P-1
LIU/12Port/1U	LIU-12P-1
LIU/24Port/1U	LIU-24P-1
Front Panel 3+3/Duplex	FP-33-D-SC
Front Panel 6+6/Duplex	FP-66-D-SC
Front Panel 12+12/Duplex	FP-1212-D-SC
Front Panel 3+3/Simplex	FP-33-S-SC
Front Panel 6+6/Simplex	FP-66-S-SC
Front Panel 12+12/Simplex	FP-1212-S-SC

Gland Plate Module



Model Matrix & Dimensions

Description	Part No.
Gland Plate Module/Top Panel/100X85	GPM-TP-10085
Gland Plate Module/Top Panel/200X85	GPM-TP-20085
Gland Plate Module/Top Panel/300X85	GPM-TP-30085
Gland Plate Module/Top Panel/600X85	GPM-TP-60085
Gland Plate Module/Top Panel/900X85	GPM-TP-90085
Gland Plate Module/Bottom Panel/100X85	GPM-BP-10085
Gland Plate Module/Bottom Panel/200X85	GPM-BP-20085
Gland Plate Module/Bottom Panel/300X85	GPM-BP-30085
Gland Plate Module/Bottom Panel/600X85	GPM-BP-60085
Gland Plate Module/Bottom Panel/900X85	GPM-BP-90085

